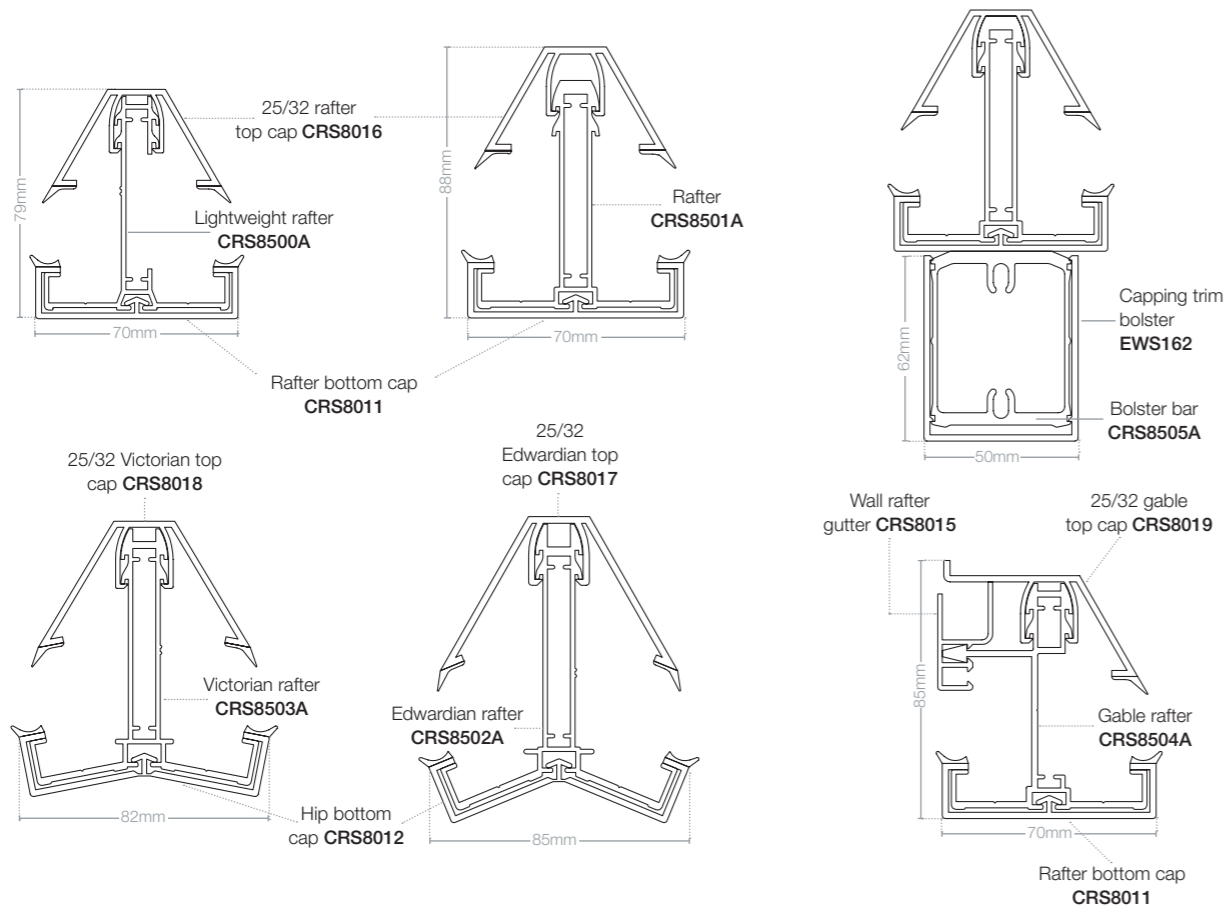
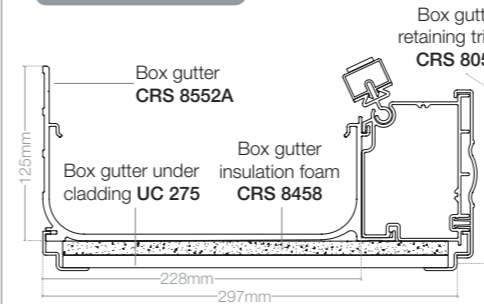


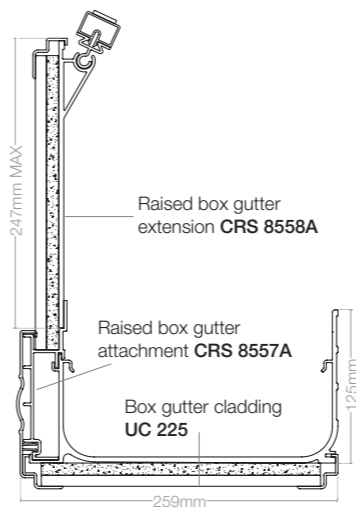
Rafter and hip assemblies



Box gutters

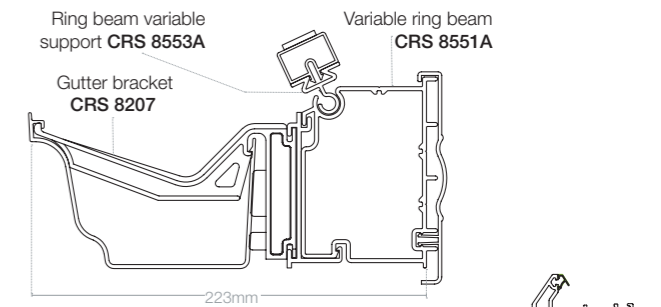


Box gutter assembly

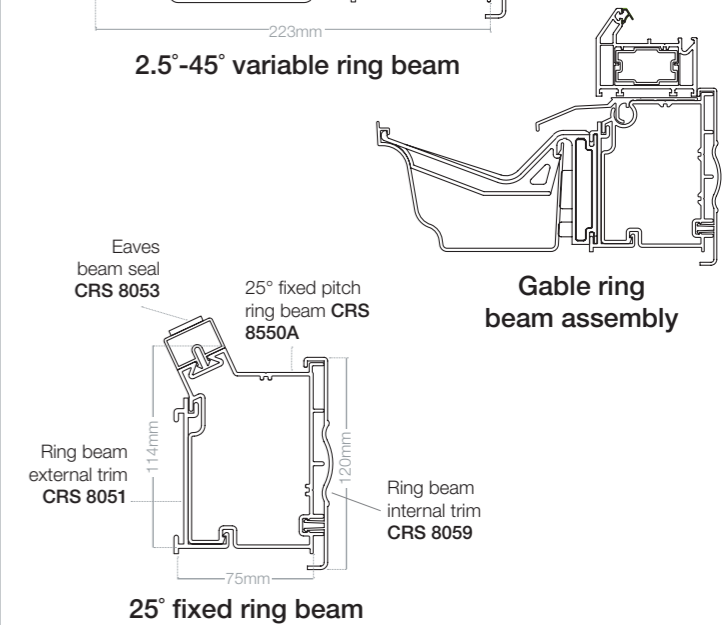


Raised back box gutter assembly

Ring beams



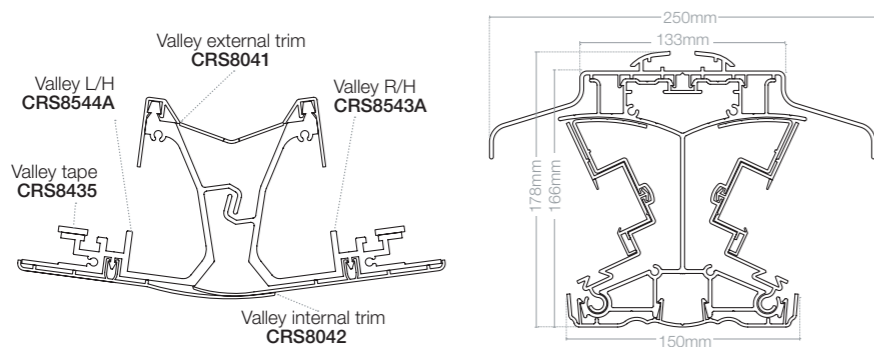
2.5°-45° variable ring beam



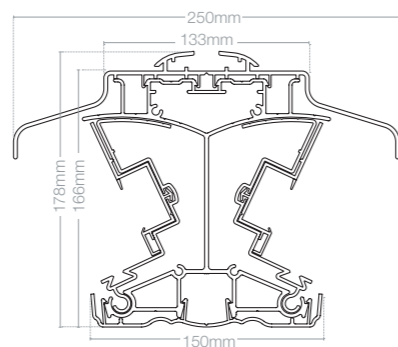
25° fixed ring beam

Gable ring beam assembly

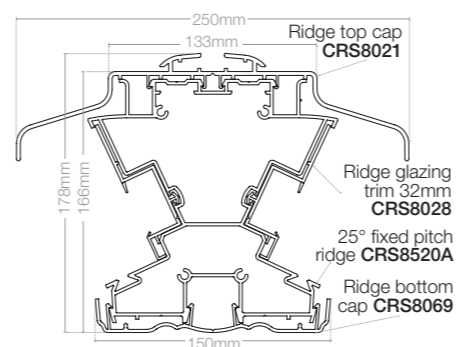
Valley and ridge assemblies



Valley assembly

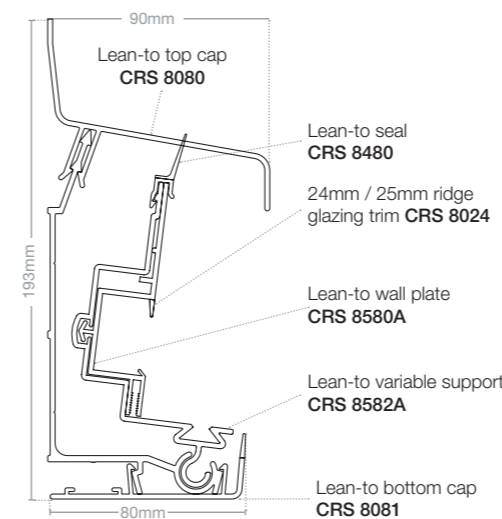


15-45° variable ridge assembly

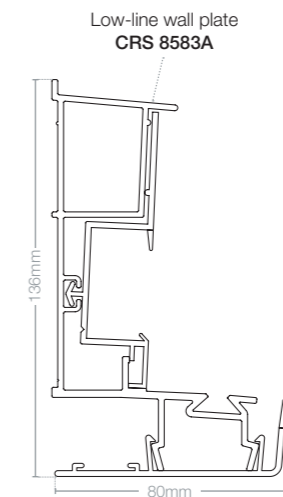


25° fixed pitch ridge assembly

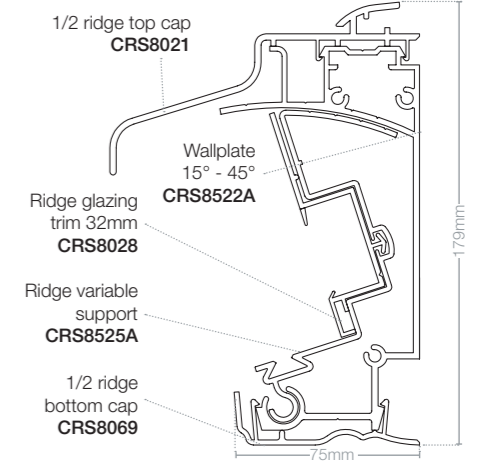
Lean-to wallplates



2.5°-15° lean-to wallplate assembly



2.5°-5° low-line wallplate assembly



15°-45° lean-to wallplate assembly