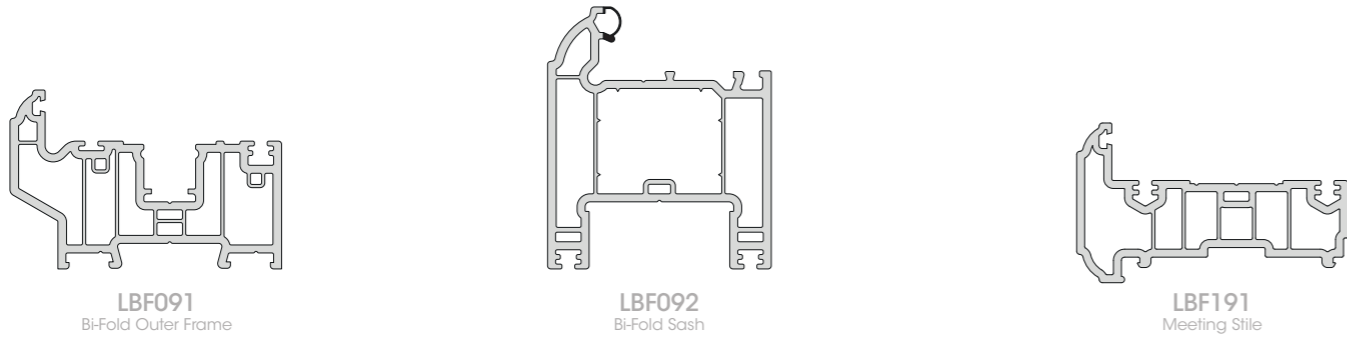


Liniar Bi-Fold System

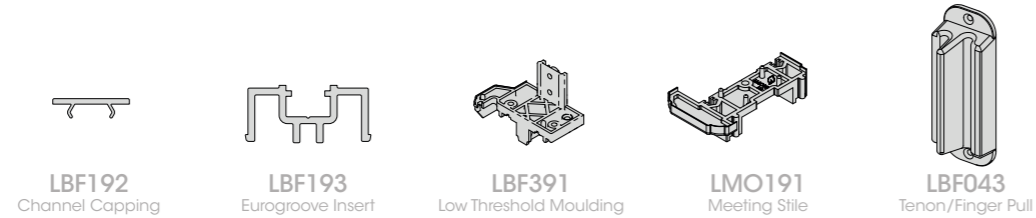


Standard Bi-Fold

Frames



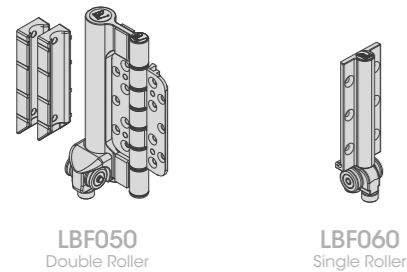
Ancillaries



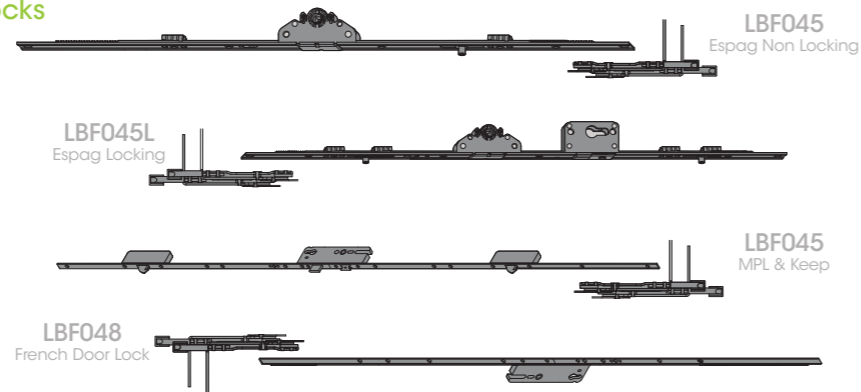
Steel or aluminium



Hardware

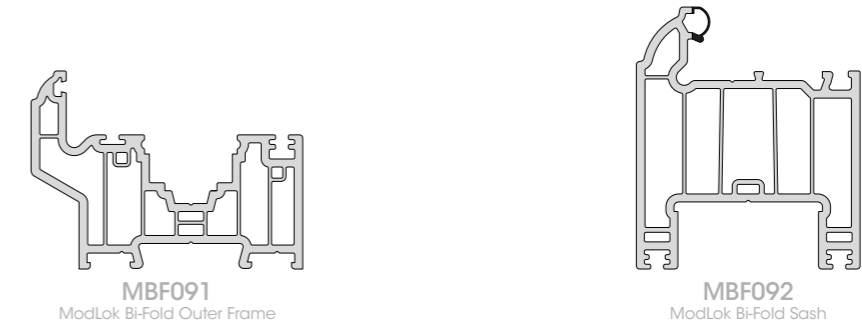


Locks

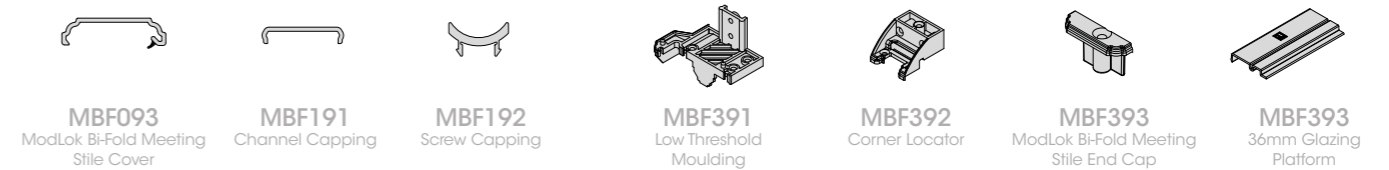


ModLok Bi-Fold

Frames



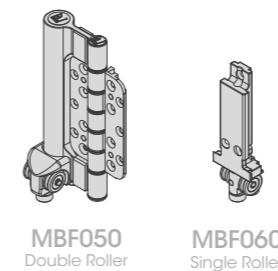
Ancillaries



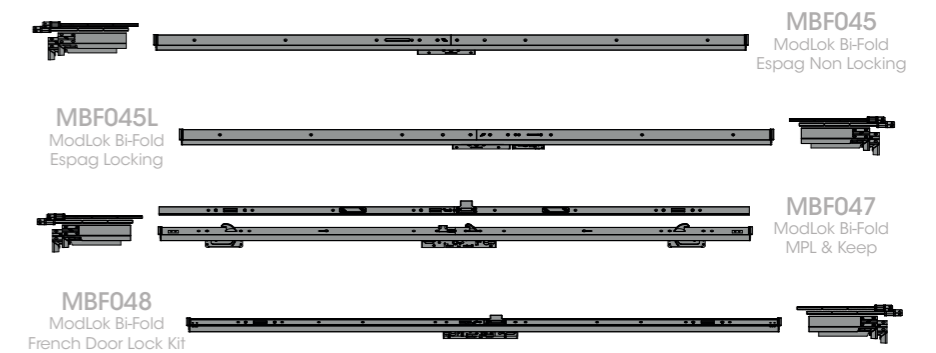
Steel or aluminium



Hardware



Locks

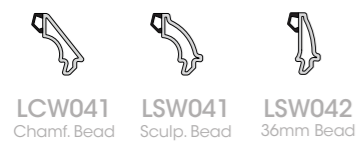


Common Components

Hardware



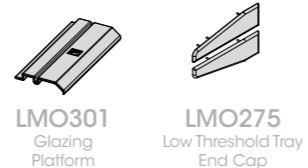
Beads



Gaskets



Ancillaries



Aluminium



Cylinders

